

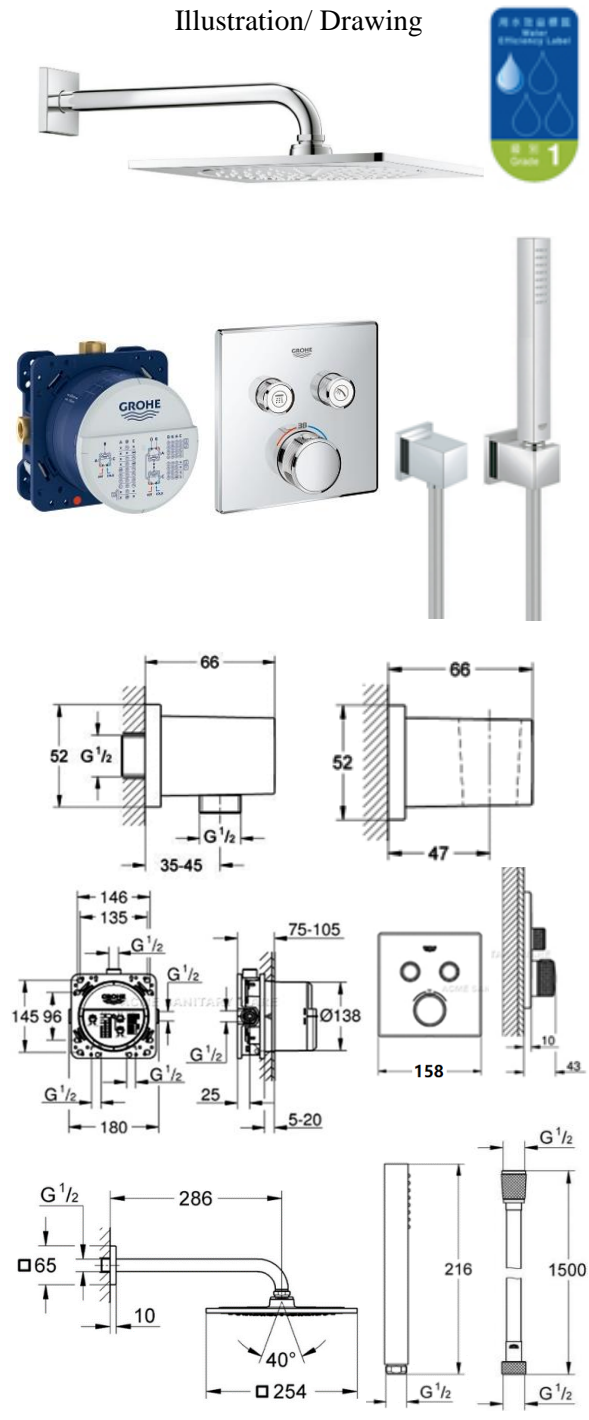


PROJECT		REF		REV	ITEM CODE	
LOCATION		DATE			PAGE	

SANITARY WARE SPECIFICATION SHEET

Item Descriptions	GROHE (Germany) "Grohtherm SmartControl" thermostat shower mixer with mixing device and adjustable temperature limiter with 2 valves ; "Euphoria Cosmopolitan 160" chrome plated shower head with shower set ; Nominal flow rate 9.7 L/min & 9 L/min in WELS Grade 1 and Grade2 ; Registration No. SB 17-0030 & SB 17-0002
Model	27285000 + 27488000 (Shower head & arm) 29124000 (Thermostat mixer) 35600000 (Mounting box) 27704000 (Shower outlet elbow) 27693000 (Shower holder) 27699000 (Hand Shower) 28364000 (Shower Hose)
Material	Chrome Plated
Manufacturer	GROHE Limited
Supplier	Acme Sanitary Ware Co. Ltd Mr. Eric Wong/ Mr. Wilson Hung
Contact Tel/Fax	(852) 2388-7171 / (852) 2710-8012
E-mail	acme@acmesanitary.com.hk
Website	www.acmesanitary.com.hk

Illustration/ Drawing



Shower head

Dynamic flow pressure (kPa)	50	150	250	350	500
Flow rate (l / min)	7.00	10.00	9.50	9.70	9.70

Hand Shower

Dynamic flow pressure (kPa)	50	150	250	350	500
Flow rate (l / min)	5.30	8.70	9.20	9.20	9.10


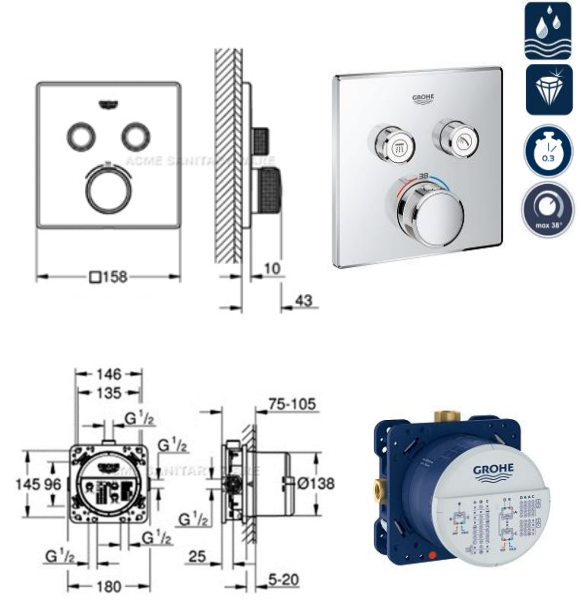
Note:

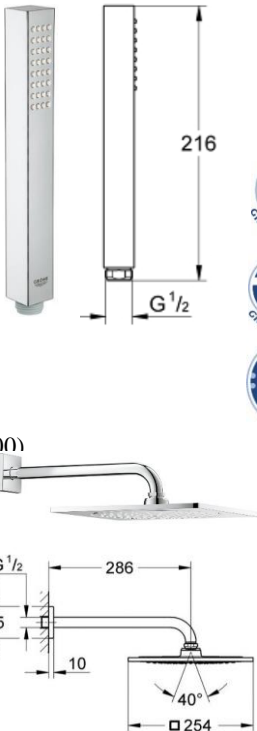
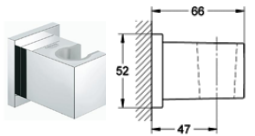
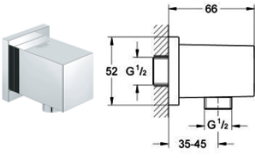
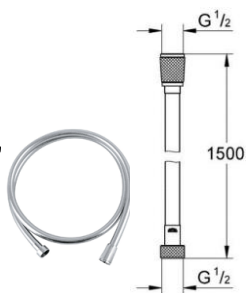
* All information of the above is for the reference only. No prior notice is made if any changes.



PROJECT		REF		REV	ITEM CODE	
LOCATION		DATE			PAGE	

SANITARY WARE SPECIFICATION SHEET

<p>Grohtherm SmartControl Thermostat for concealed installation with 2 valves set for final installation for GROHE Rapido SmartBox 35 600 000 metal wall escutcheon with GROHE QuickFix (covered escutcheon and shaft sealing, covered fixing), retroactively 6° adjustable GROHE StarLight chrome finish GROHE SmartControl push for ON-OFF, turn for volume adjustment from EcoJoy to full flow exchangeable symbols GROHE TurboStat compact cartridge with wax thermoelement GROHE SafeStop safety button at 38°C (calibration required) GROHE SafeStop Plus optional temperature limiter at 43°C included built-in non return valve and dirt strainers multiple outlets can be run simultaneously without roughing-in-set flow performance: outlet B = 24 l/min outlet C = 26 l/min</p>	<p>GROHE Rapido SmartBox Universal rough-in box, 1/2" 3 outlets 1/2" 2 inlets below, 1/2" installation depth 75-105 mm connection unit in DR brass pre-mounted flushing plug stable build-in box and protective cover fixing options for solid walls and dry cladding gasket without set for final installation</p> 	<p style="text-align: center;">Illustration/ Drawing</p> 
---	---	--

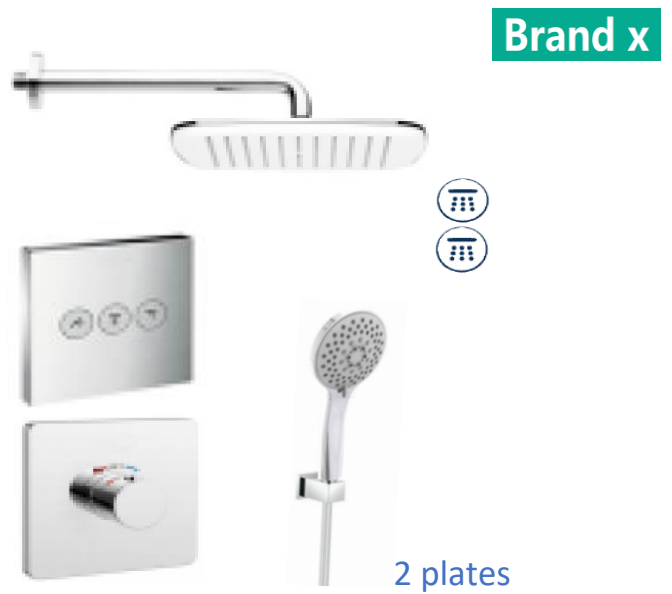
<p>Euphoria Cube Stick Hand shower 1 spray Normal spray GROHE EcoJoy 9.5 l/min flow limiter GROHE DreamSpray perfect spray pattern GROHE StarLight chrome finish SpeedClean anti-limescale system Inner WaterGuide for a longer life Universal Mounting System. Fits all standard shower hoses</p> <p>Product description Rainshower F-Series 10" 254 x 254 Consisting of: head shower Rainshower F-Series 254 (27 285 000) 1 spray pattern: Rain Shower arm Rainshower 275 mm (27 488 000) GROHE EcoJoy 9.5 l/min flow limiter GROHE DreamSpray perfect spray pattern GROHE StarLight chrome finish SpeedClean anti-limescale system</p>		<p>Euphoria Cube Wall hand Shower holder non-adjustable GROHE StarLight chrome finish</p>  <p>Euphoria Cube Shower outlet elbow, 1/2" male thread protected against backflow GROHE StarLight chrome finish</p>  <p>1500 mm smooth surface for easy cleaning tensile strength 500 N pressure resistance up to 5 bar heat resistance 70°C AntiFold bendproof universal connection G 1/2" x 1/2" Rotaflex for Twistfree-function GROHE StarLight chrome finish blister pack</p> 
--	---	--

Note:

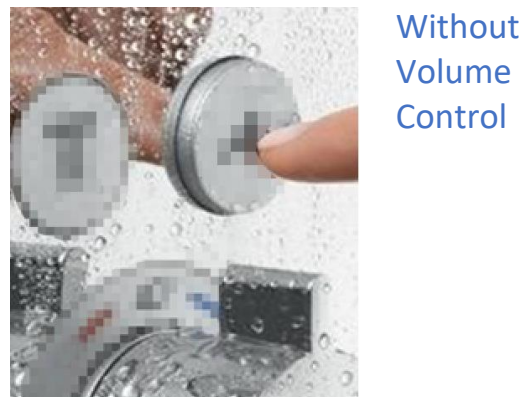
* All information of the above is for the reference only. No prior notice is made if any changes.

3 Key advantageous comparisons with another brand

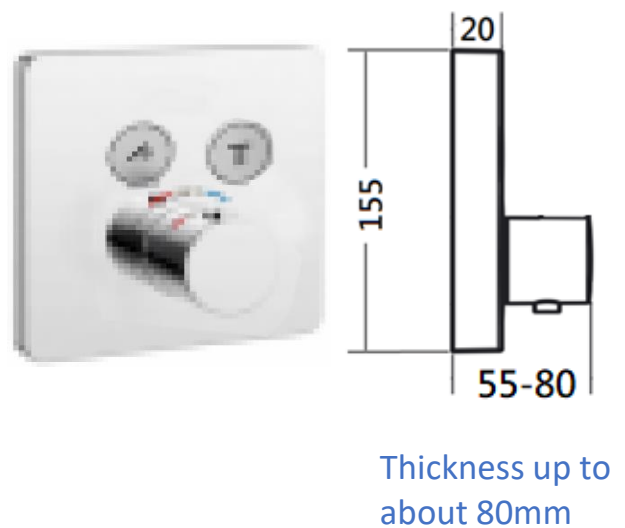
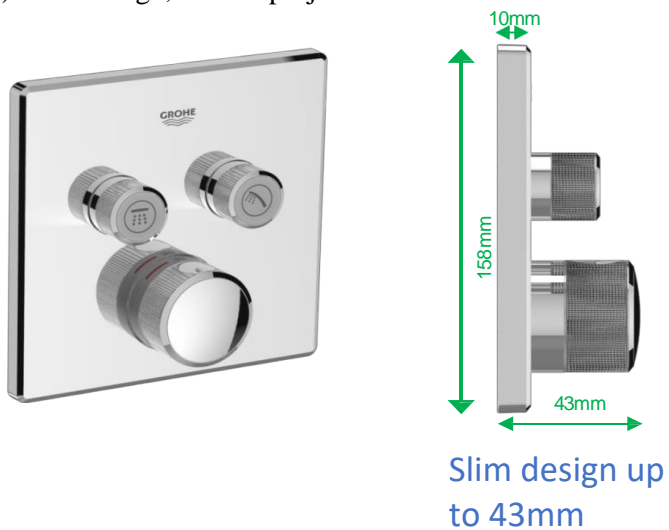
1) Only 1 wall plate needed = Half expenditures



2) Integrated Volume Control



3) Slim Design, shorter projection





自願參與用水效益標籤計劃 - 沐浴花灑
Voluntary Water Efficiency Labelling Scheme - Showers for Bathing



茲證明
This is to certify that

將下列花灑在本計劃內註冊：
has registered the following shower under this scheme :

牌子 / Brand	:	GROHE
型號 / Model	:	27699000
原產地 / Country or Region Origin	:	Germany

在用水效益標籤上展示的標誌 <i>Symbolic Presentation on the Water Efficiency Label</i>	:		滴水點 <i>Water droplet(s)</i>
用水效益級別 <i>Water Efficiency Grade</i>	:	1	
耗水量 <i>Water Consumption</i>	:	9	公升/分鐘 <i>litres/minute</i>

簽發日期:
Date of Issue: 18 January 2017



水務署署長(周世威代行)
for Director of Water Supplies



自願參與用水效益標籤計劃 - 沐浴花灑
Voluntary Water Efficiency Labelling Scheme - Showers for Bathing



茲證明

This is to certify that

將下列花灑在本計劃內註冊：
has registered the following shower under this scheme :

牌子 / Brand	:	GROHE
型號 / Model	:	27285000
原產地 / Country or Region Origin	:	Germany

在用水效益標籤上展示的標誌 <i>Symbolic Presentation on the Water Efficiency Label</i>	:	 滴水點 <i>Water droplet(s)</i>
用水效益級別 <i>Water Efficiency Grade</i>	:	2
耗水量 <i>Water Consumption</i>	:	9.7 公升/分鐘 <i>litres/minute</i>

簽發日期:
Date of Issue: 12 September 2017

 水務署
Water Supplies Department



水務署署長(周世威代行)
for Director of Water Supplies



水務署

Water Supplies Department

香港灣仔告士打道七號入境事務大樓

Immigration Tower, 7 Gloucester Road, Hong Kong



info@wsd.gov.hk

4355

圖文傳真
Facsimile

2824 0578

WSD 3321/17 Pt.1 T/J(1466)

19 December 2017

Approval of "GROHE" Thermostatic Mixing Valves

Your letter ref. WRC/1545 dated 27 November 2017 refers.

Having considered the test report ref. J21968 issued on 2 November 2017 by Nutek Systems (HK) Ltd., this Authority accepts that the fittings described below comply with, and their use when correctly installed does not contravene, the Waterworks Ordinance and Regulations.

Name of Manufacturer: Grohe AG

Country of Origin: Germany

Brand: Grohe

Details of Fitting: 1/2" Thermostatic mixing valve

Model:
35600000 + 29124000
35600000 + 29119000
35600000 + 29151LS0
35600000 + 29156LS0

Body Markings:

Expiry Date: 23 October 2022

This Authority hereby permits the use of the above fittings in fresh water plumbing systems subject to full adherence to Waterworks installation requirements. In particular, you are required to draw your customers' attention to the following requirement-

"The cold water supply to the fittings shall be drawn from the same source that supplies the hot water apparatus so as to provide a balanced pressure and to obviate the risk of scalding in the event of a restriction or failure in the water supply." AND

"The shower head or handspray should not be placed in submerged conditions and should be securely fixed to the original position after use."

A condition of this acceptance is that the fittings to be installed shall be replicas of the samples as certified by the testing agent mentioned above and without modifications. This acceptance may be withdrawn at any time if the standard of the fittings installed fails to meet that of the approved samples or if the fittings are found to be unsuitable for use in fresh water plumbing systems.

This acceptance is only applicable to the main body of the fittings, unless other specified.

For the use of the fittings in any project, the Acceptance Reference Number at the bottom of this letter must be quoted as a means of identification of acceptance of the fittings by this Authority.

Should you have any enquiries, please contact our Engineer Mr. Terry KUNG at tel. no. 2294 2656.

Yours faithfully,



(CHAN Chung Kun)
for Water Authority

c.c. WSD 3321/1/82] - without catalogue
ME/MC] - with soft copy only